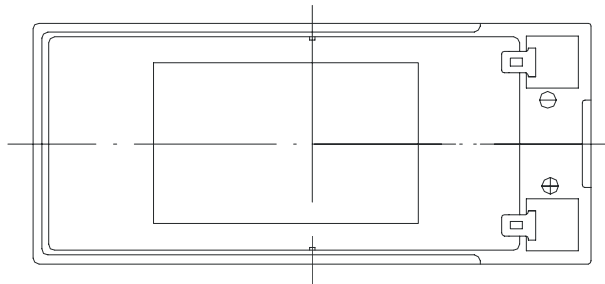
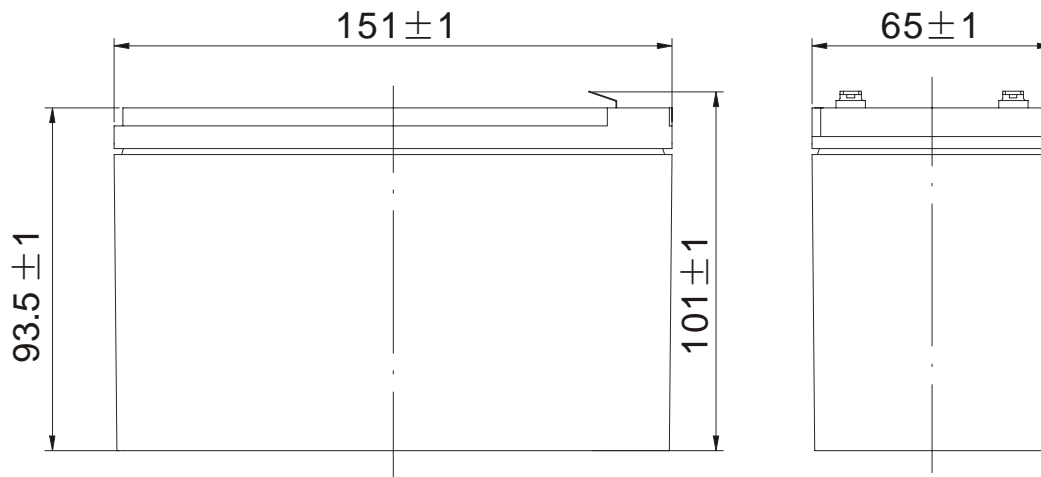


Dimensions: AGM 12-8



FASTON TAB TYPE 250
(WITH/WITHOUT STOPPER)

